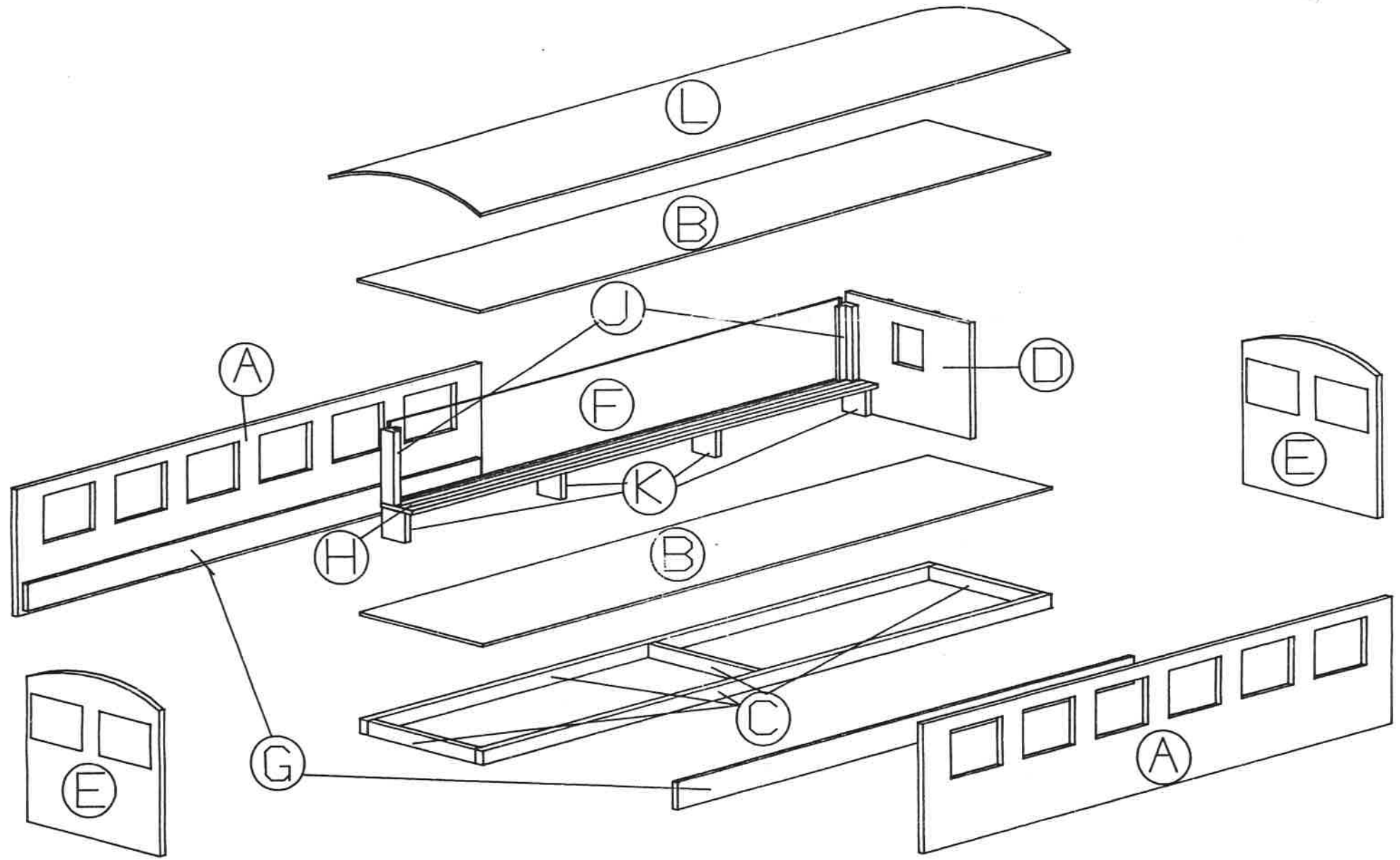


EXPLODED VIEW OF COACH KIT

46.1.1
87
26.9.05
605/5



ONE INNER END AND SEAT DETAILS OMITTED FOR CLARITY